

Schoen Insulation Services

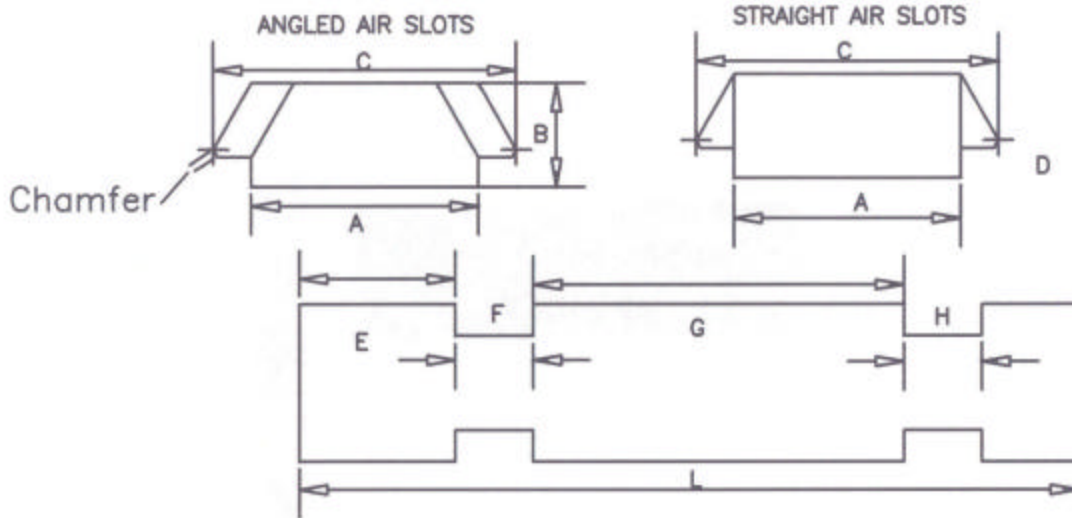
Quick Parts Quote form

Download and Complete

Fax 770-345-5128 - Quotes@schoenins.com

Please include an engineered drawing if possible

AIR SLOT WEDGE



Angled or Straight Air Slots _____ E = _____

A = Bottom Width _____ F = _____

B = Overall Thickness _____ G = _____

C = Overall Width _____ H = _____

D = Step Thickness _____ L = _____

Chamfer = _____ Material = _____

Quantity _____ Required Ship Date _____

Contact Information

Name _____ Company _____

Email _____ Phone _____

To facilitate a timely response please complete all of the above

Schoen Insulation Services • 850 Univeter Road • Canton • GA 30188 USA

Phone (011) 770-345-5156, Fax (011) 770-345-5128